

List of Contents



Drain Valves

Manual Drain Valve	2
Semi-Automatic Drain Valve	2
External-Automatic Drain Valve	3
Internal-Automatic Drain Valve	3



COMPRESSED GAS, s.r.o.

predaj
a servis
kompresorov

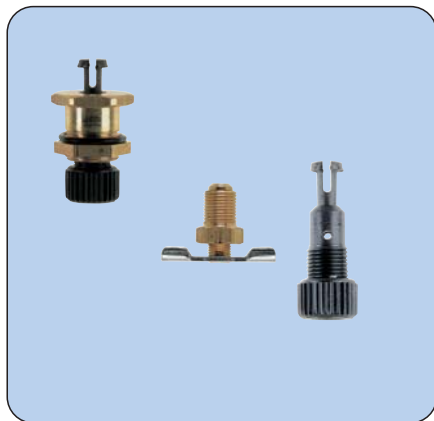


Viac na www.kompresory-servis.sk

ewo

Manual Drain Valve

Drain Valves



Manually operated drain valves are integrated as standard equipment in all filter bowls or filter-pressure-regulator bowls. On plastic bowls or metal bowls with sight glass a plastic drain screw is used. A metal drain screw is used on metal bowls without sight glass, but if desired it can be optionally screwed into any other bowl with female port thread in place of the plastic drain screw.

Technical Data

Max. operating pressure	25 bar
Operating temperature	0°C to +90°C
Mounting position	at lowest point of bowl
Nominal size for condensate	DN3
Operation	clockwise - closed counter clockwise - opened

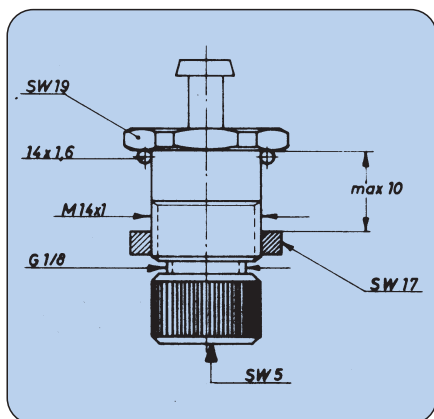
Manual Drain Valves

Article	Connection	Order No.
Manual drain valve with insert for plastic bowls and metal bowls with inspection glass	Ø14	423-207
Manual drain valve without insert for metal bowls	G ^{1/8}	275-41
Drain screw made of plastic	G ^{1/8}	423-110

Main spare parts

Drain screw made of plastic	G ^{1/8}	423-110
------------------------------------	------------------	----------------

Remark To change the drainscrew, unscrew and pull firmly downwards.



ewo

Semi-Automatic Drain Valve

Drain Valves



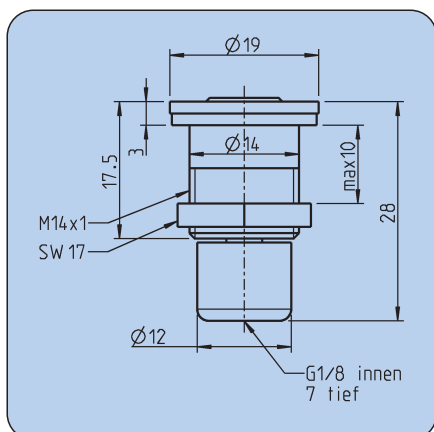
Semi-automatic drain valves are open when there is no pressure (up to approx. 0,5bar). At higher pressures they are opened manually. They are thus used in all situations where at least during the night the compressed air system is shut off and relieved. With the appropriate insert they can be installed in all bowls of plastic or metal having a sight glass. For installation in metal bowls without sight glass or G^{1/8} female thread no insert is necessary. The manual operation is carried out by pushing the brass plate up over the plug of the drain hose for condensation.

Technical Data

Max. operating pressure	25 bar
Operating temperature	0°C to +90°C
Closing pressure (valve open at lower pressure)	~ 0,5bar
Closing pressure flow (air) (airflow required for reaching closing pressure)	6m³/h
Mounting position	at lowest point of bowl
Nominal size for condensate	DN3,5
Manual operation	push disc upwards (above 10bar more force necessary)
Drain hose	flexible

Semi-Automatic Drain Valves

Article	Connection	Order No.
Semi-automatic drain valve for plastic bowls and metal bowls	Ø14	495-100



COMPRESSED GAS, s.r.o.

predaj
a servis
kompresorov



Viac na www.kompresory-servis.sk

External Automatic Drain Valve

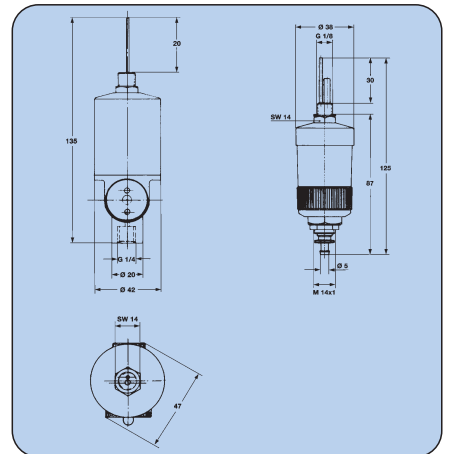
Drain Valves



Fully automatic drain valves can be fitted on all filters or filter pressure regulators in the ewo-programme instead of manually operated or semi-automatic ones. On bowls with G^{1/8} female thread the installation is possible at any time. The working pressure range runs from about 4 bar to 16 bar. At pressures below 4 bar the valve is closed and the automatic function turned off. Between 4 and 16 bar when a certain condensation level is reached, a float activates a pneumatic servo valve and the drain valve is opened. After brief draining the valve closes again. Emergency manual operation is carried out by pressing in a horizontally protruding pin.

Technical Data

	Drain Valve A	Drain Valve B
Max. operating pressure	16 bar	12 bar
Operating temperature	0°C bis +90°C	0°C bis +50°C
Min. operating pressure	~ 4 bar	~ 1 bar
at lower pressures	closed	open
Mounting position	vertically facing downwards	vertically facing downwards
Nominal size for condensate	DN4	DN4
Manual emergency operation	Press pin in (above 6 bar harder to press)	push red disk upwards
Condensate drain	G ^{1/4} - female thread	5 mm flexible



External Automatic Drain Valves

Article	Connection	Order No.
Drain Valve A (Housing and Hood Brass)	G ^{1/8}	5370.3
Drain Valve A (Housing PA, Hood Brass)	G ^{1/8}	5370.4
Drain Valve B (Float gauge in sight)	G ^{1/8}	441.11

Remark Mounting on pressure tanks or water pockets without significant pressure variation not recommended because proper function cannot always be guaranteed (water doesn't flow into the valve).

Internal Automatic Drain Valve

Drain Valves



Fully automatic built-in drain valves (ø24mm) are suitable for installation in all plastic bowls with ø14mm hole and an WZ19 adaptor. The operating pressure range of the valves runs from approx. 1,5 to 12 bar. At pressures below 1,5 bar the valve is open. Between 1,5 and 12 bar when a certain condensation level is reached, a float activates a pneumatic servo valve and the drain valve is opened. Emergency manual operation is effected by pushing up the red ring.

Technical Data

Max. operating pressure	12 bar
Critical range	10 bis 12 bar
Operating temperature	0°C bis +50°C
Min. operating pressure (opened at lower pressures)	~ 1 bar
Closing pressure flow (air) (airflow required for reaching closing pressure)	7,5 m³/h (125 l/min)
Mounting position	vertically facing downwards
Nominal size for condensate	DN4
Manual emergency operation	push red disk upwards
Drain hose	5 mm, flexible

Internal Automatic Drain Valve

Article	Connection	Order No.
Internal-automatic drain valve	ø14	441.1

Accessories

Quiet disks for airvision-bowls-size I	419-80
Quiet disks for airvision and variobloc-bowls-size II	419-81

Remark Mounting on pressure tanks or water pockets without significant pressure variation not recommended because proper function cannot always be guaranteed (water doesn't flow into the valve).

